



# BRIZO®

## BATHROOM FAUCET

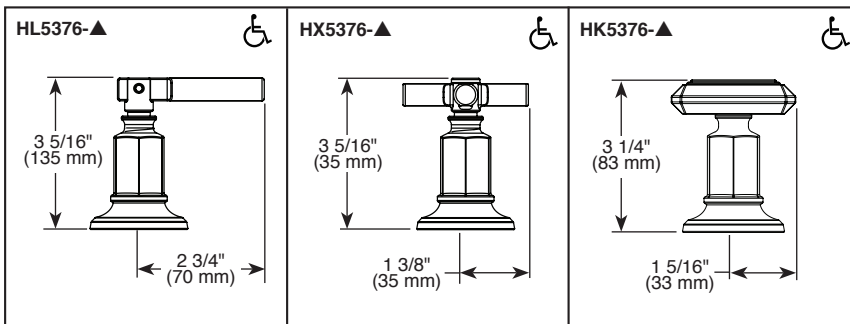
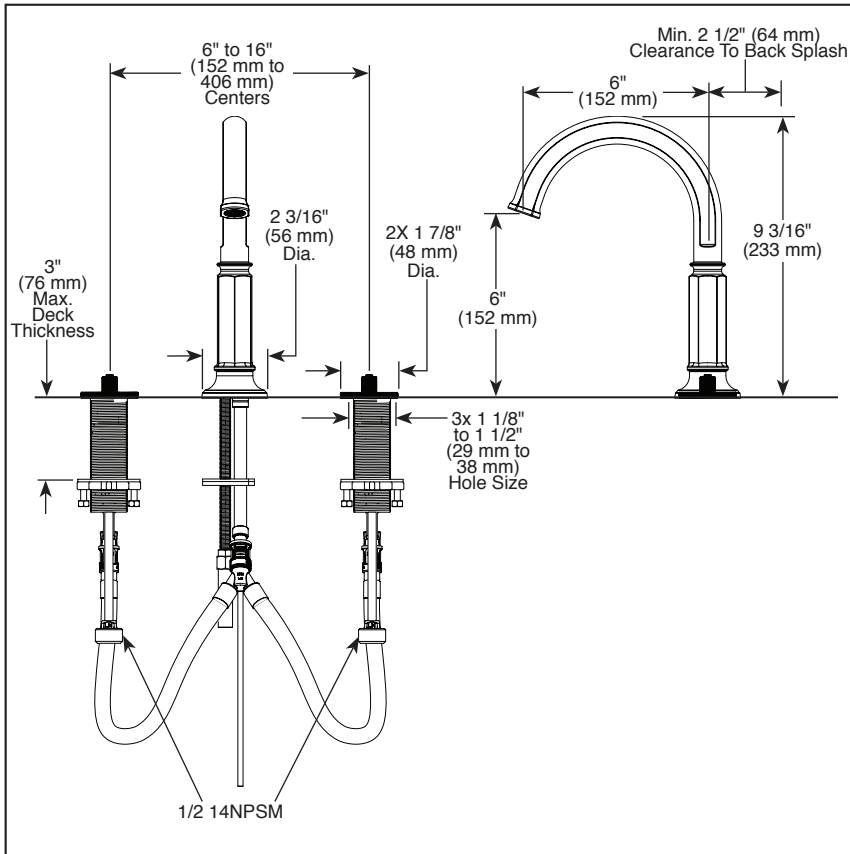
- Invari® Collection
- Two Handle Widespread Deck Mount

### STANDARD SPECIFICATIONS:

- Max flow rate 1.5 gpm @ 60 psi, 5.7 L/min @ 414 kPa
- Max flow rate (ECO model only) 1.2 gpm @ 60 psi, 4.5 L/min @ 414 kPa
- Three hole mount
- Control mechanism is a rotating cylinder ceramic cartridge with 90° rotation
- 1/2-14 NPSM threaded inlets
- Solid brass fabricated end valve and spout bodies
- Spout features laminar water flow
- LHP - Less Handle Program. See handle options below
- Note: Optional red/blue temperature indicator rings, order RP101685

### WARRANTY

- Parts and Finish - Lifetime limited warranty; or for commercial purchasers, 10 years for multi-family residential (apartments and condominiums) and 5 years for all other commercial uses, in each case from the date the product is received by the original purchaser or their authorized representative (installation contractor, etc.).
- Electronic Parts and Batteries (if applicable) - 5 years from the date the product is received by the original purchaser or their authorized representative (installation contractor, etc.); or for commercial purchasers, 1 year from the date the product is received by the original purchaser or their authorized representative (installation contractor, etc.). No warranty is provided on batteries.
- Please go to [www.brizo.com](http://www.brizo.com) for the complete details of our limited warranty.



▲ Designate Proper Finish Suffix

### COMPLIES WITH:

- ASME A112.18.1/ CSA B125.1
- EPA WaterSense®
- ICC/ANSI A117.1

